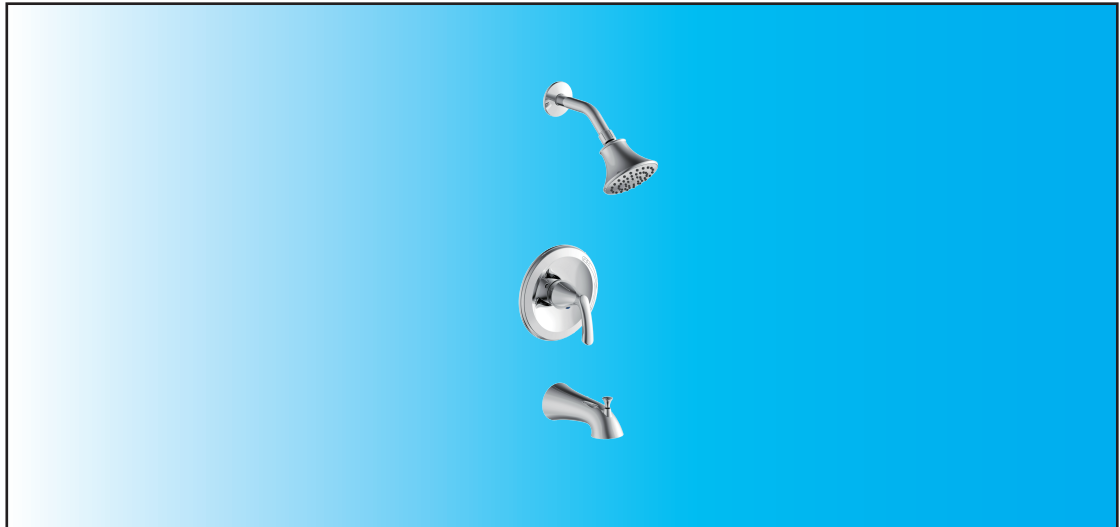


**GLA-730CJP**  
 **GLA-730ORBJP**

**GLA-730BNJP**

gemline

## Single Handle Tub & Shower Trim Kit



# Product Spec Sheet

### FEATURES & BENEFITS

- Metal Lever Handle
- Metal Shower Arm And Shower Flange
- With Metal Slip On Tub Spout
- With Single Function Shower Head
- Spout: Minimum Flow Rate 2.4GPM(9.0L/Min) At 20PSI
- Showerhead: Max Flow Rate 1.8GPM(6.8L/Min) At 80PSI

GLA-730CJP  
Chrome Finish

GLA-730BNJP  
Brushed Nickel Finish

GLA-730ORBJP  
Oil Rubbed Bronze Finish

### Approvals:

Meets or Exceeds The Following:

- \* ASME A112.18.1/CSA B125.1
- \* IAPMO/cUPC
- \* EPA WaterSense



**TEL:** 888-649-0605

**FAX:** 877-892-1950

Visit Our Web Site : [www.gemlinefaucets.com](http://www.gemlinefaucets.com)

**GLA-730CJP**

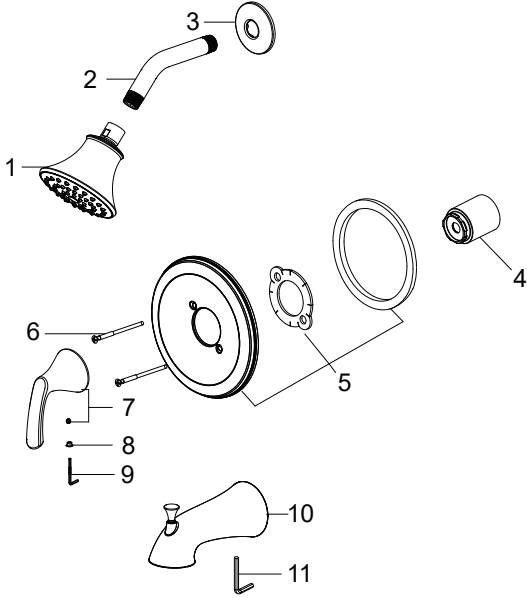
**GLA-730BNJP**

gemline

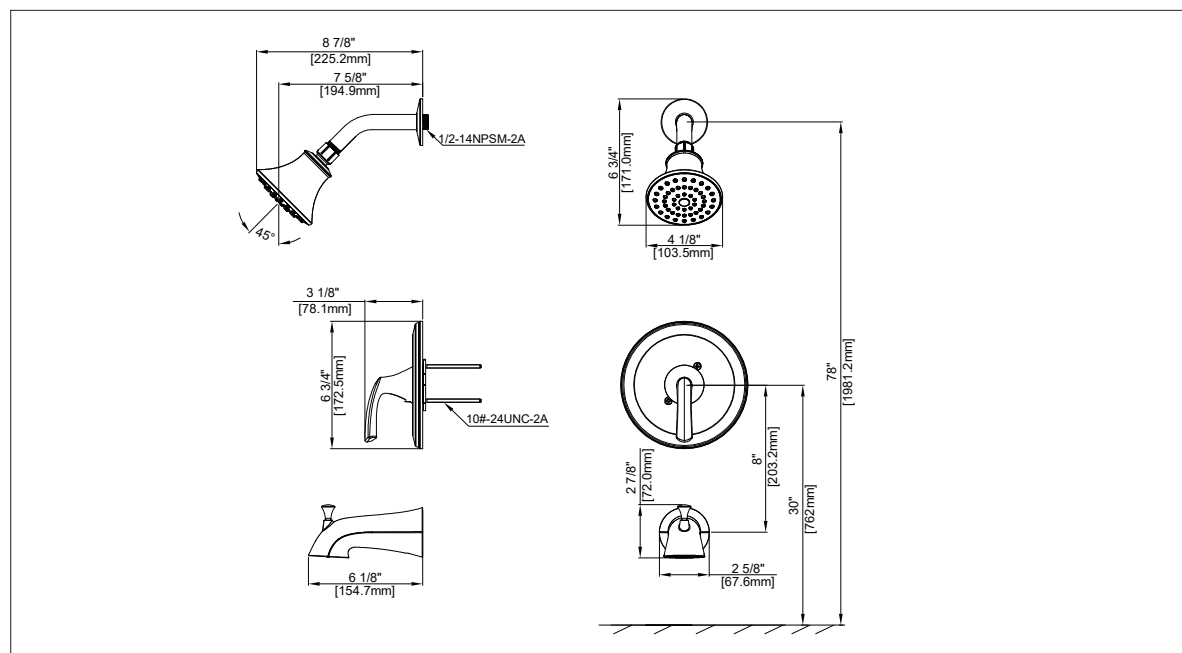
**GLA-730ORBJP**

## Single Handle Tub & Shower Trim Kit

No.	Name	Part No.
1	Shower head / <i>Cabezal de la ducha</i>	RP38335*
2	Shower arm / <i>Brazo de la ducha</i>	RP38019*
3	Shower flange / <i>Brida de la ducha</i>	RP38046*
4	Sleeve / <i>Funda</i>	RP80624*
5	Escutcheon / <i>Placa protectora</i>	RP80610*
6	Escutcheon screw / <i>Tornillo de la placa protectora</i>	RP50197*
7	Handle / <i>Llave</i>	RP13541*
8	Index / <i>Índice</i>	RP10073
9	Hex Allen Wrench / <i>Hex Llave Allen</i>	RP70221
10	Spout / <i>Caño</i>	RP33080*
11	Hex Allen Wrench / <i>Hex Llave Allen</i>	RP70345



\* Specify Finish  
\* Especifique el Acabado



Product Spec Sheet

TEL: 888-649-0605 FAX: 877-892-1950

Visit Our Web Site : [www.gemlinefaucets.com](http://www.gemlinefaucets.com)